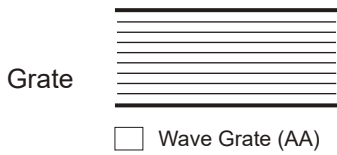




# 100AATDiS Threshold drain - Premium with Sub-Sill Order Form



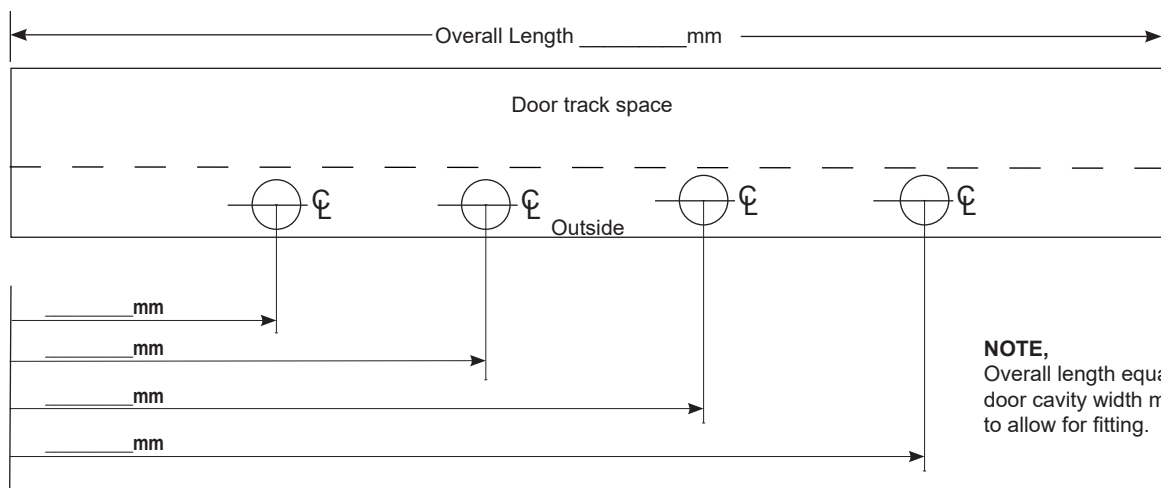
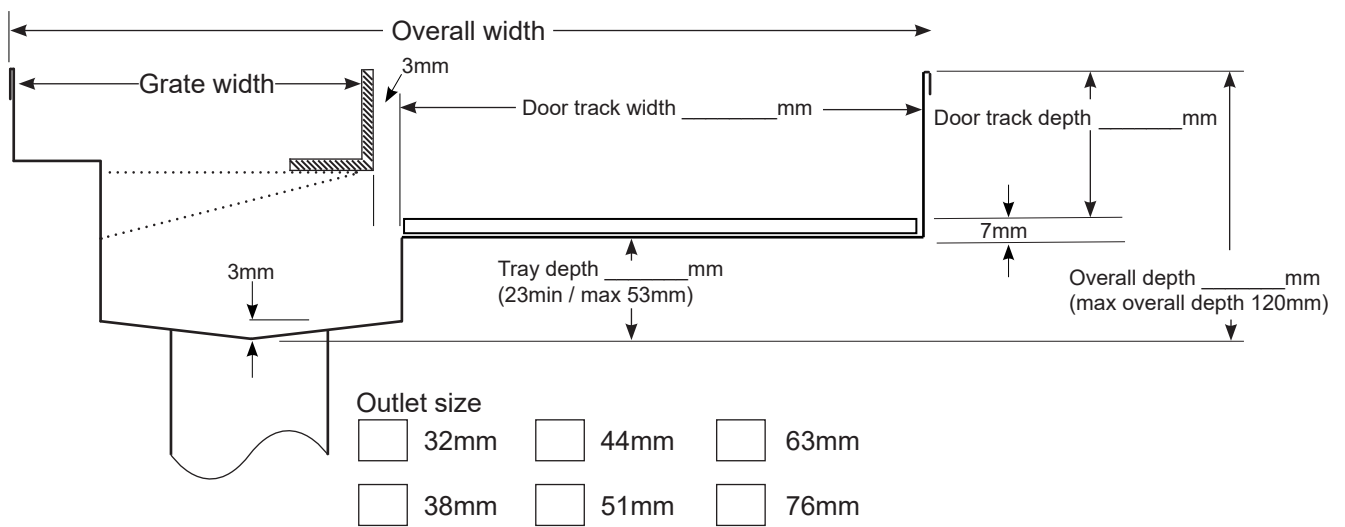
Aluminium Finish

- Standard Aluminium
- Matte Black
- Brass Gold

**Please note:**

Only Aluminium grate is finished, threshold channel is stainless steel

100mm Grate Overall width = 115mm + track width.



**NOTE,**  
Overall length equals door cavity width minus 4mm to allow for fitting.

Name

Customer name/job

Order number

Email

Branch  S/tech quote #

Signature & date

Fax to 02 44235552 or email to [info@stormtech.com.au](mailto:info@stormtech.com.au)

