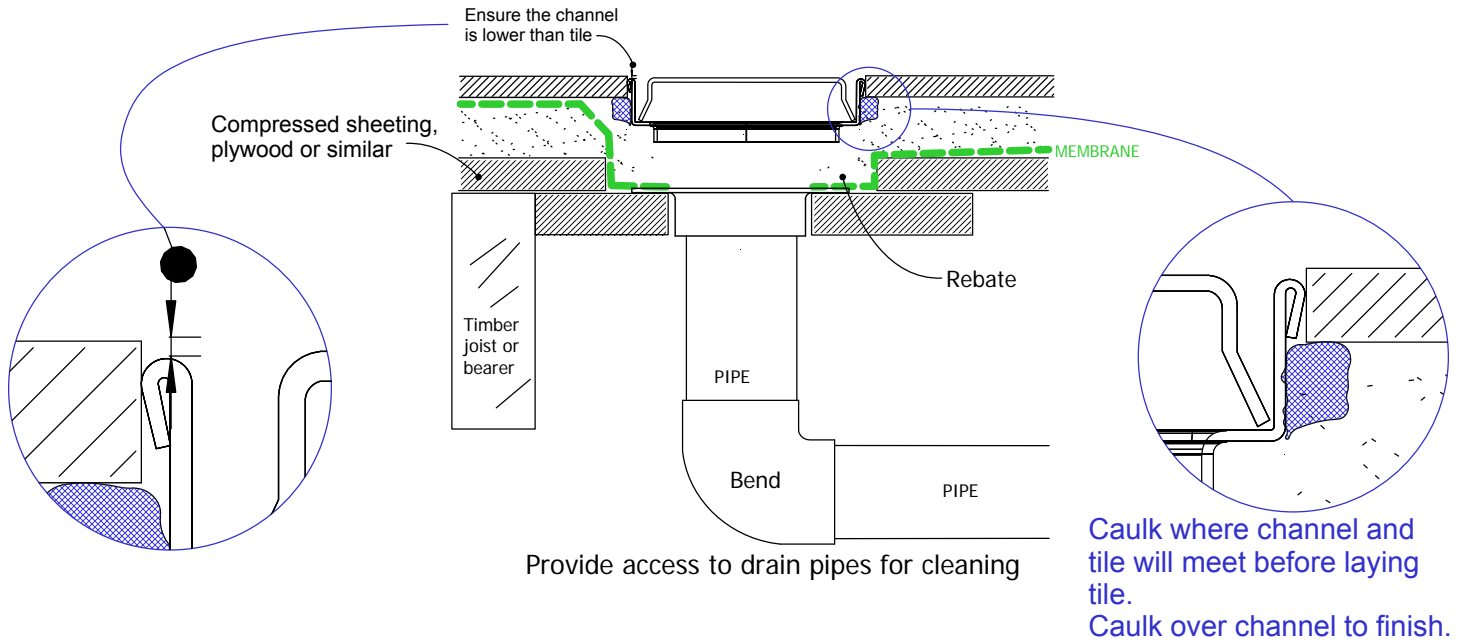


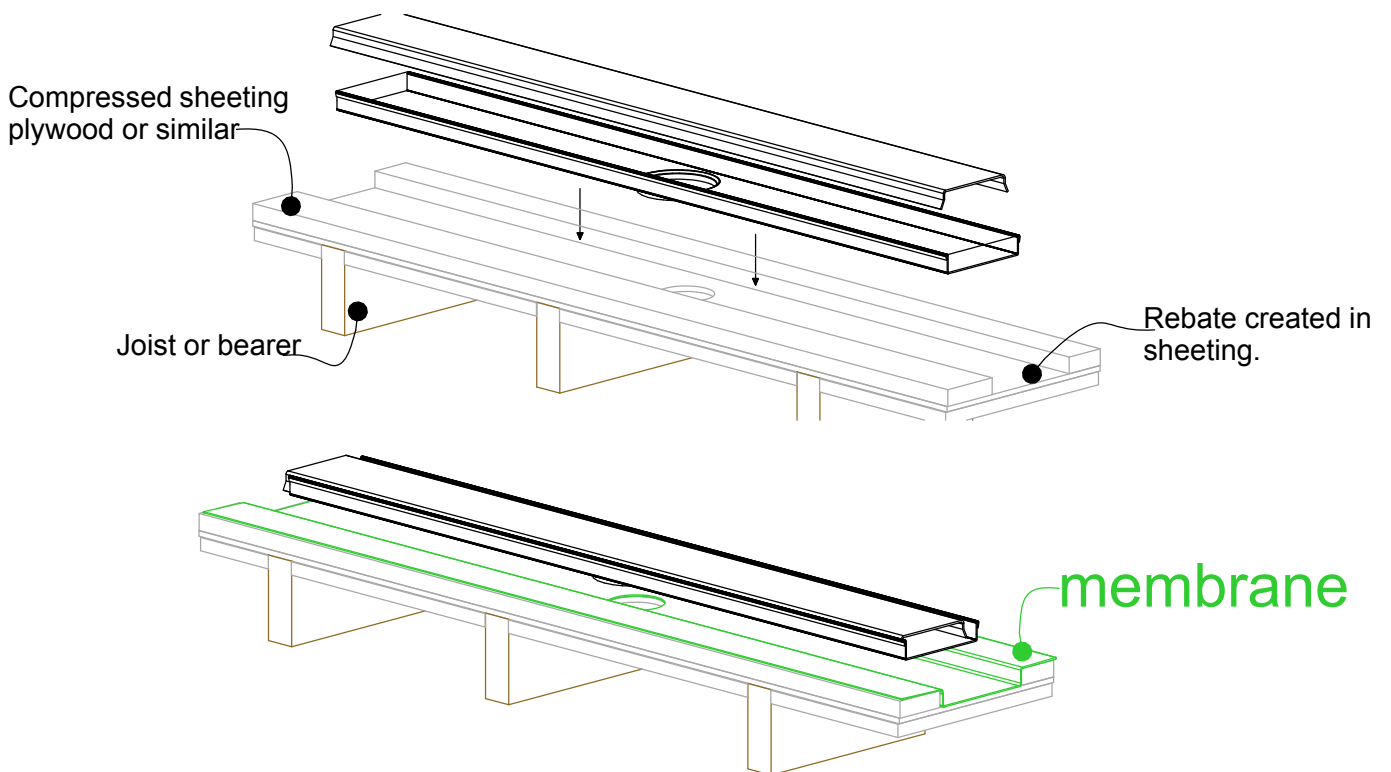
100FTi20 TIMBER FLOOR/DECK



When 100i20 MTL or CO is running parallel to joist/bearer



When 100i20 MTL or CO is running perpendicular to joist/bearer



NOTE: For exterior application allow for expansion of 1mm per metre by using quality suitable flexible sealant on channel joins.

