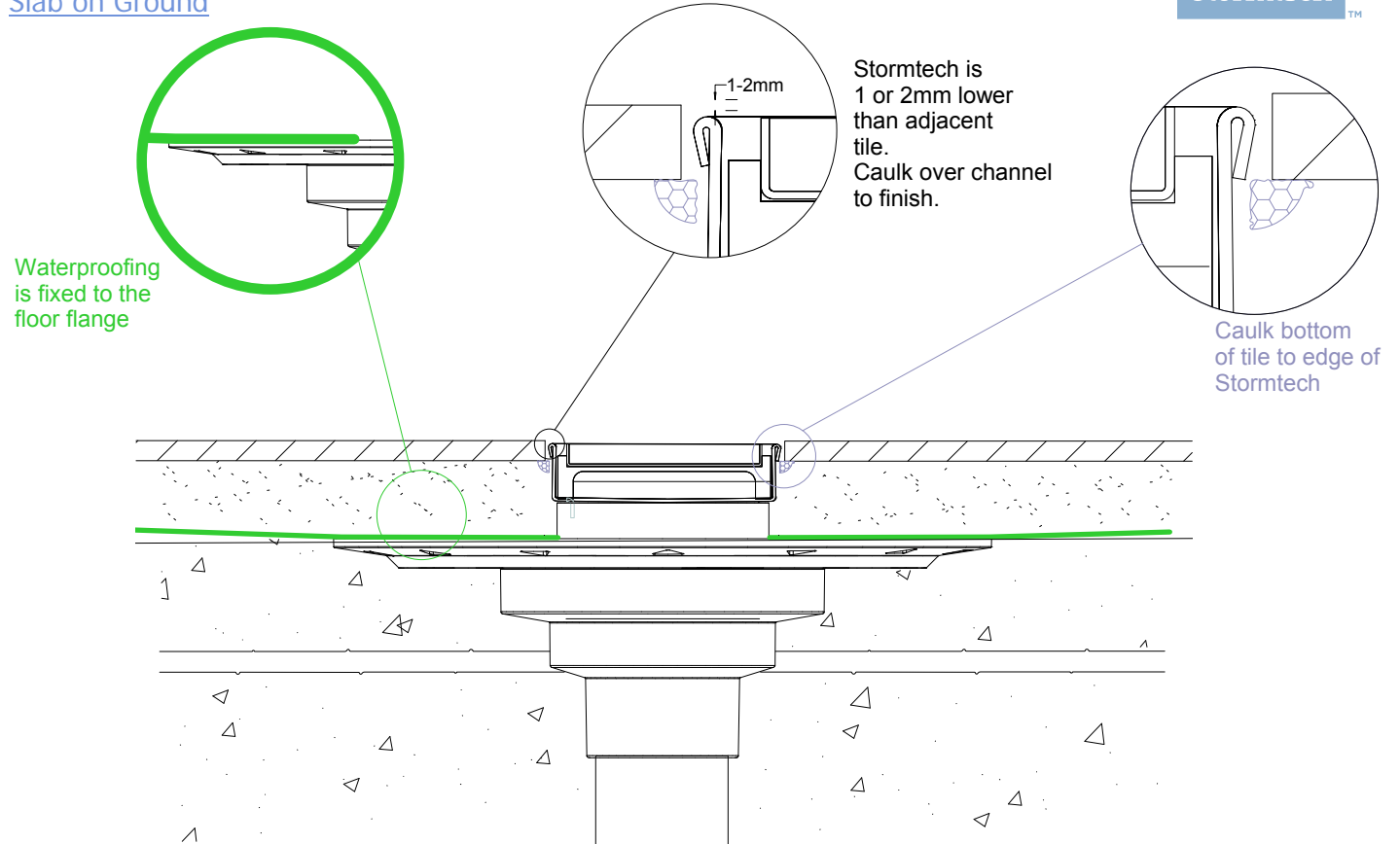


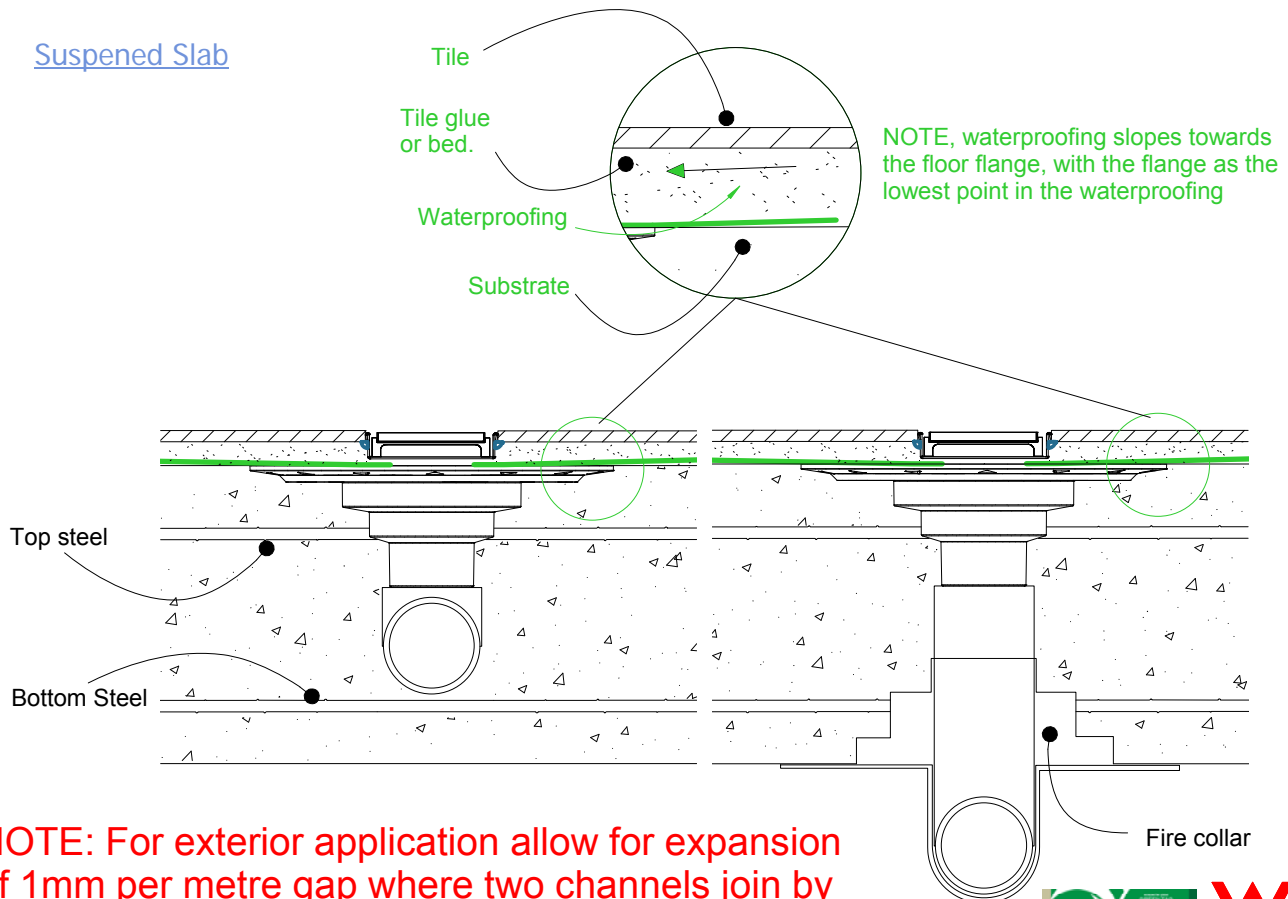
# 100Tii Concrete Floor or Deck

For 100Tii30MTL, 100TiiCo30, 100TRTii25MTL, 100TRTiiCO25, 100Tii40MTL.

Slab on Ground



## Suspended Slab



**NOTE: For exterior application allow for expansion of 1mm per metre gap where two channels join by using quality suitable flexible sealant on channel joiners.**

