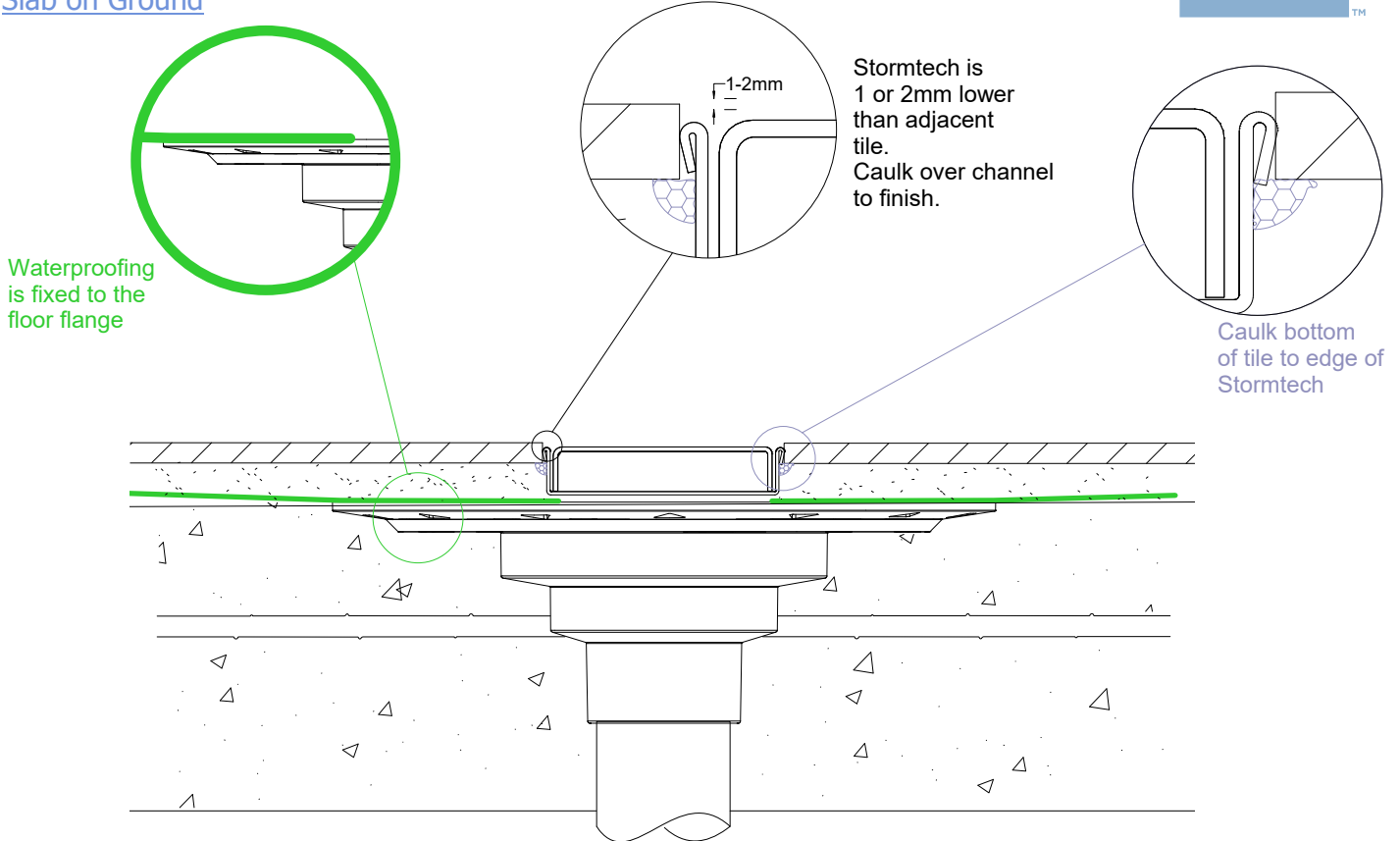


100i12MTL (Concrete floor or Deck)

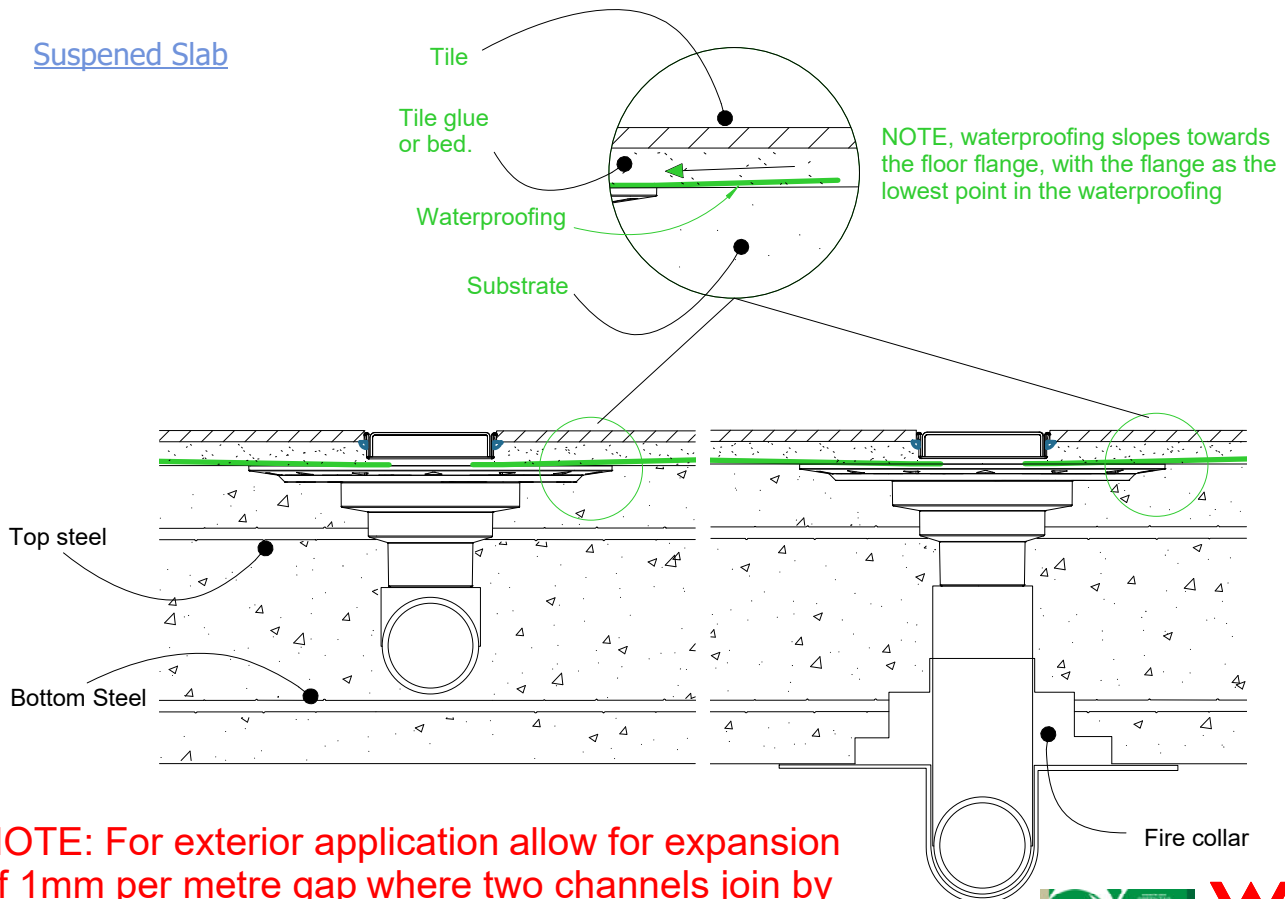
For 100PSi12MTL, 100PPSi12MTL, 100PASi12MTL, 100MNDi12MTL



Slab on Ground



Suspended Slab



NOTE: For exterior application allow for expansion of 1mm per metre gap where two channels join by using quality suitable flexible sealant on channel joiners.

