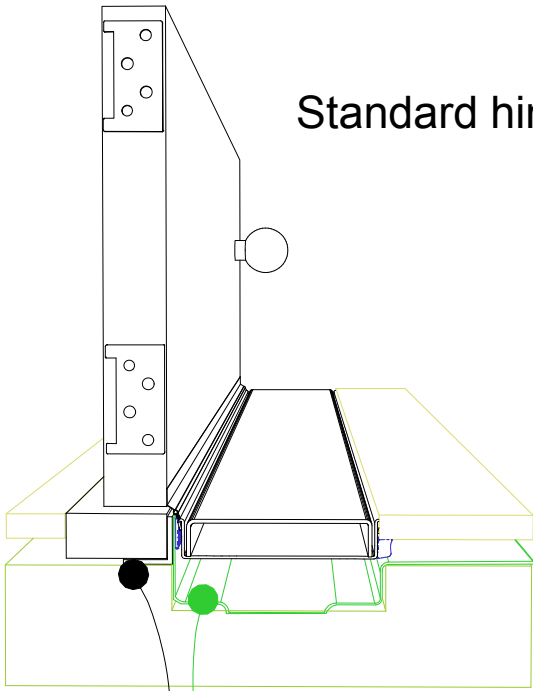


100i20 MTL & CO Threshold installation suggestion

For 100ARi20MTL, 100ARiCO20, 100MNDi20MTL, 100MNDiCO20, 100PSi20MTL, 100PSi20CO, 100TRi20MTL, 100TRiCO20.



Standard hinged door

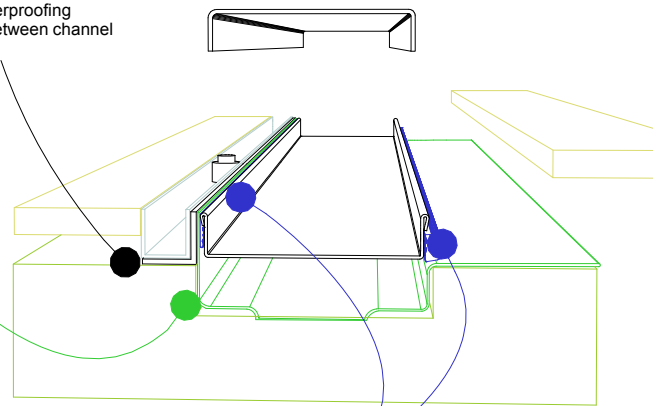


Aluminium angle to support waterproofing and junction between channel and door sil.

Waterproofing

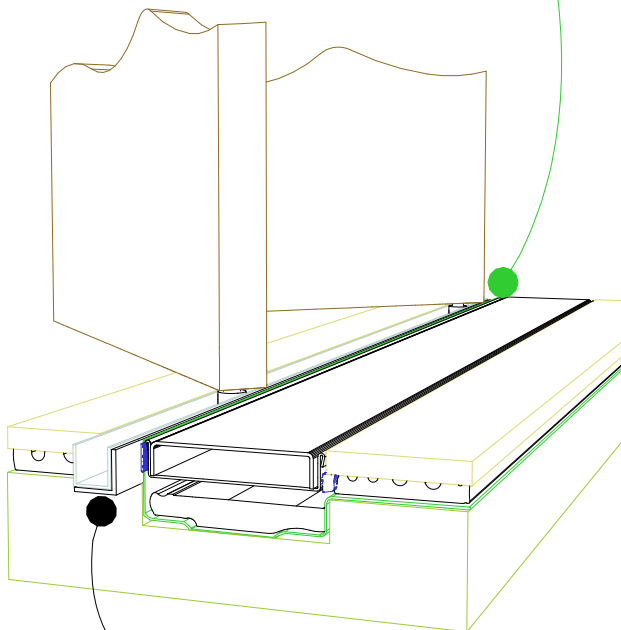
Top hung slider

Aluminium angle to support waterproofing and junction between channel and door track.



For all types of threshold installation ensure both sides of the channel are sealed before laying tile.

Bi-fold door



Aluminium angle to support waterproofing and junction between channel and door track.

NOTE, ensure weather strip is used on the appropriate side of the door to ensure drafts and moisture are minimised.

NOTE, ALWAYS ensure the waterproofing is completed before laying the Stormtech.

