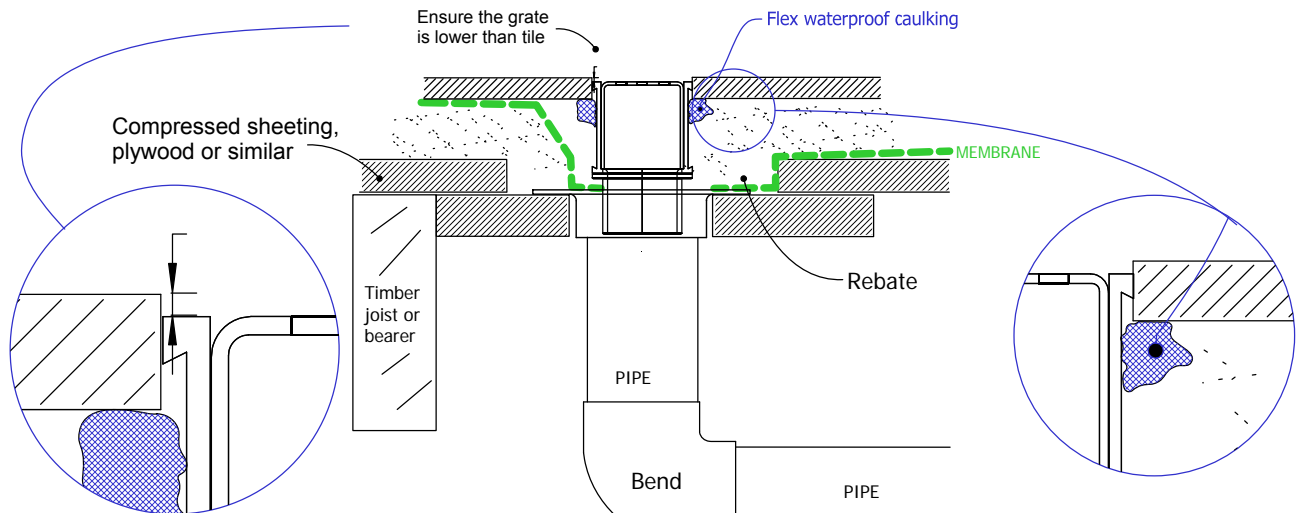


38MTL TIMBER FLOOR/DECK

For 38ARi409MTL, 38PSi40MTL and 38PHi40MTL



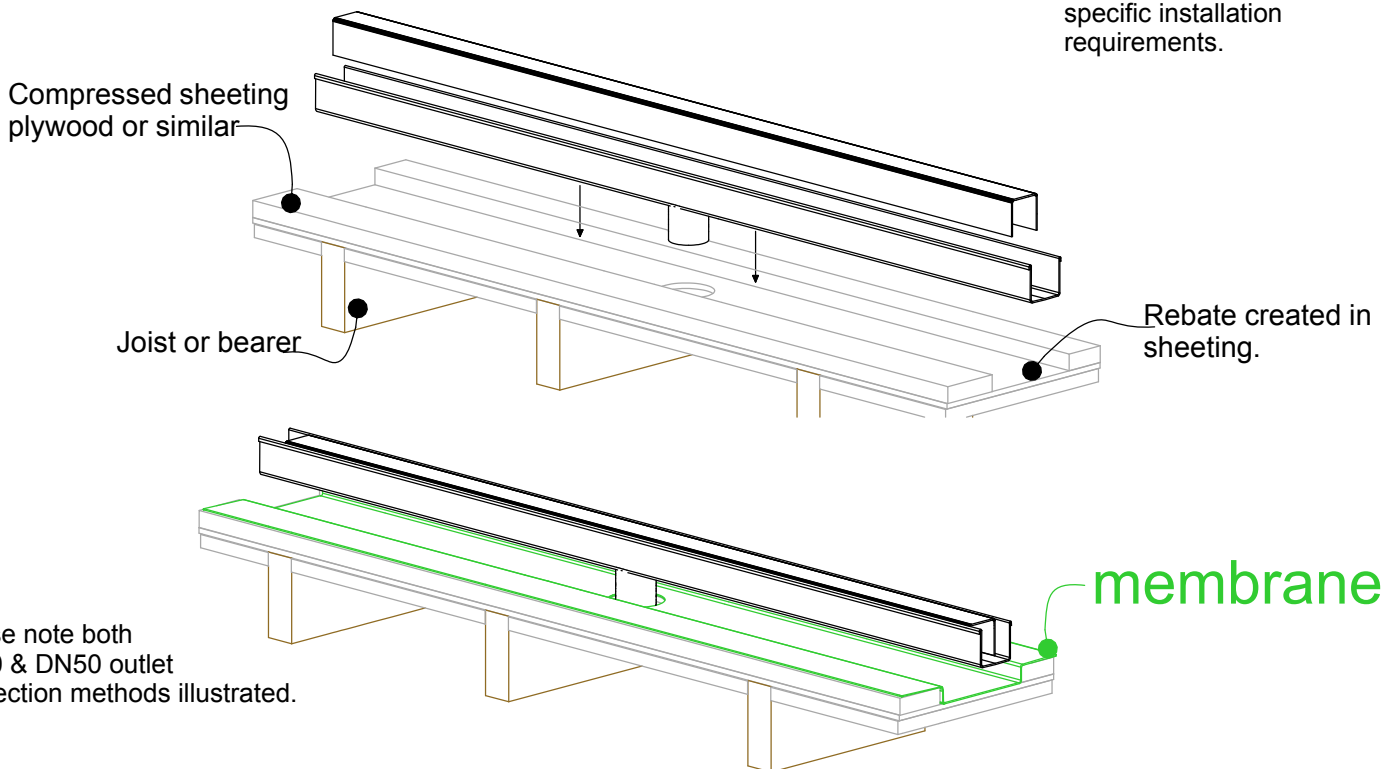
When 38MTL is running parallel to joist/bearer



Provide access to drain pipes for cleaning

Caulk where channel and tile will meet before laying tile.

When 38MTL is running perpendicular to joist/bearer



Be sure to check with local relevant authorities for your specific installation requirements.

Please note both DN40 & DN50 outlet connection methods illustrated.

NOTE: For exterior application allow for expansion of 1mm per metre by using quality suitable flexible sealant on channel joins. Use PVC solvent cement and primer for ends and outlets.

